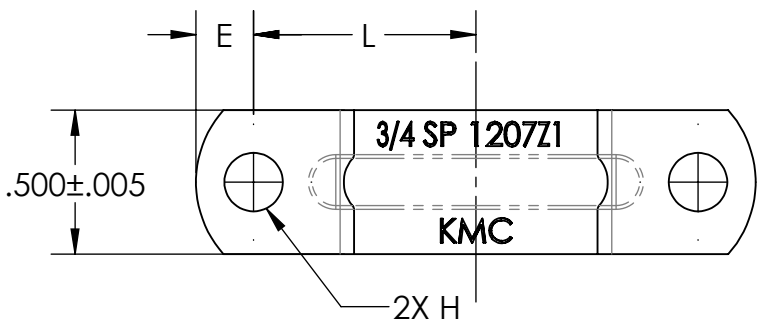


5 4 3 2 1

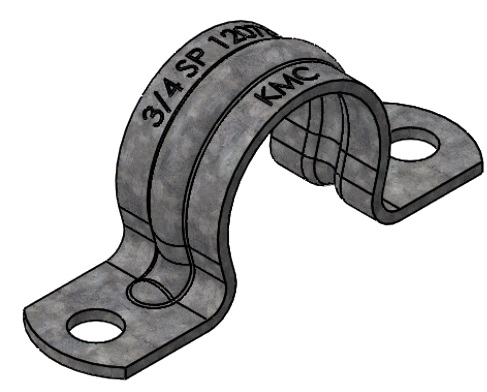
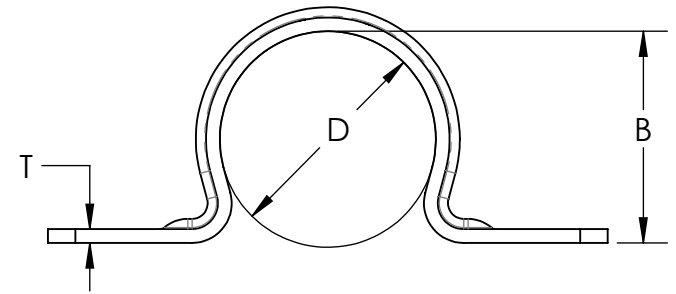
D

D



C

C



B

B

Material and Finish Codes

Z1 - CS, HD Galvanized, Chem Treated G90

A

A

Part Number	Clamping Diameter (D)	Base to Top of Diameter (B)	Center to Center (L)	Hole Diameter (H)	Hole Center to End (E)	Thickness (T)
SP 0807Z1	.500	.485	.688	.203	.225	.048
SP 1207Z1	.750	.735	.813	.203	.225	.048
SP 1607Z1	1.000	.985	1.000	.203	.225	.048
SP 2007Z1	1.250	1.235	1.094	.203	.225	.048
SP 2407Z1	1.500	1.485	1.188	.203	.225	.048
SP 2807Z1	1.750	1.735	1.437	.203	.225	.048
SP 3207Z1	2.000	1.985	1.500	.203	.225	.048
	$\pm .015$	$\pm .015$	$\pm .031$	$\pm .005$	$\pm .015$	$\pm .002$



THE ORIGINAL CLIP & CLAMP CO.
1221 SOUTH PARK STREET
PORT WASHINGTON, WI 53074
(262) 377-5030

PROPRIETARY AND CONFIDENTIAL
THE INFORMATION CONTAINED IN THIS DRAWING IS THE SOLE PROPERTY OF KICKHAEFER MANUFACTURING COMPANY. ANY REPRODUCTION IN PART OR AS A WHOLE WITHOUT THE WRITTEN PERMISSION OF KICKHAEFER MANUFACTURING COMPANY IS PROHIBITED.

PART SERIES
MASTER PRINT

SP

PIPE STRAP

DRAWN	CHECKED
-------	---------

KW	CG
----	----

4-3-19	4-5-19
--------	--------

NOT TO SCALE

5 4 3 2 1